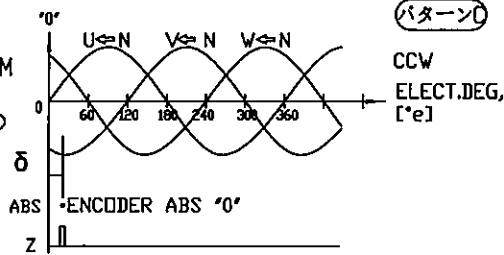


Fig.2 位相関係 PHASE SEQUENCE

(1) MOTOR BACK E.M.F. WAVE FORM
at CCW Viewing Motor Shaft
(MECH. DEG) = 2 * ELECT. DEG / (POLES)



(2) ENCODER OUTPUT

モータ軸を0°にロックさせるには、V相 ⊕ ⇒ U相 ⊖ となるように定格電流をモータに流す。
Motor shaft can be locked at 0° by applying the rated current ⊕ to V and W windings and ⊖ to U winding.

2. エンコーダ部仕様 ENCODER (アブソリュートエンコーダ)

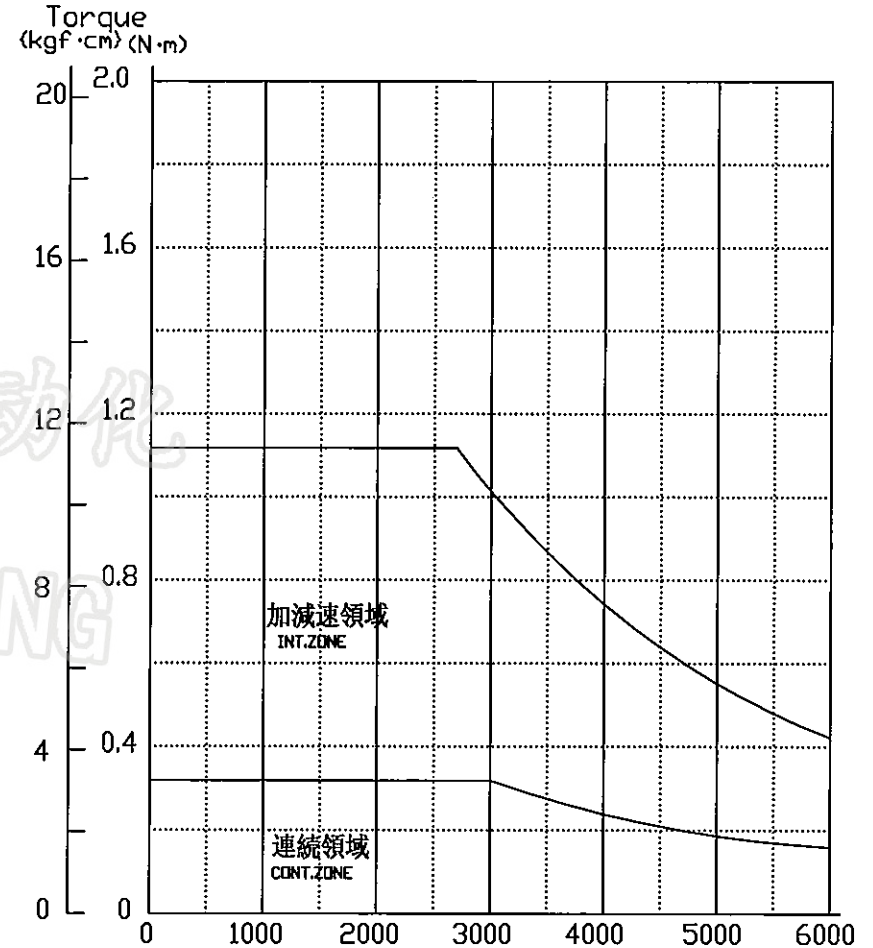
☆ 形式	TS5701 N242	分解能 N	17/39 bit	別紙参照 see attached sheet
MODEL No.		RESOLUTION		SPC007412W00

3. ブレーキ部仕様 BRAKE (保持用)

項目	記号	単位	仕様値	備考
ITEM	SYMBOL	UNIT	SPEC.	NOTE
☆ 定格電圧	-	DC ±10%		
☆ 静摩擦トルク	Ts	N·m MIN (kgf·cm MIN)		
消費電力	-	W		at 20 °C
☆ 釈放時間	tar	ms MAX		
☆ 吸引時間	ta	ms MAX		
最大制動回転数	-	r/min MAX		

Fig. 3 N-T 曲線 N-T CURVE

下記特性は線間入力電圧(整流電圧) DC240V (AC200V用) に於ける特性値です。
(駆動回路により制限される場合があります。)
DC bus voltage (line to line) DC240V (AC200V).
(Output torque may depend on driving circuit.)

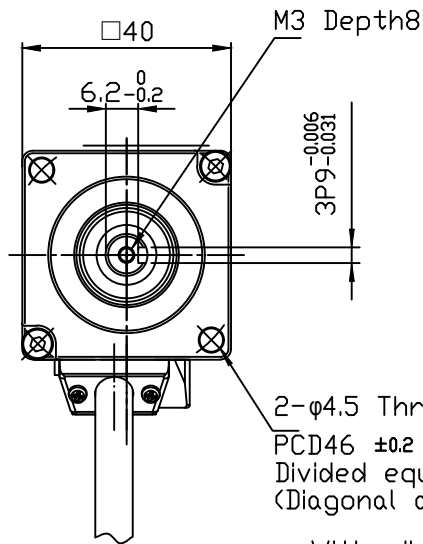


MODEL NO.	TSM3003 N2057 E200											TITLE	ACサーボモータ仕様書 BRUSHLESS SERVO MOTOR SPECIFICATION (TSS)	
DWG NO.	3	4	5	6	7	8	9	10	11	12	SHEET	2/2		
SPC0000122S00														

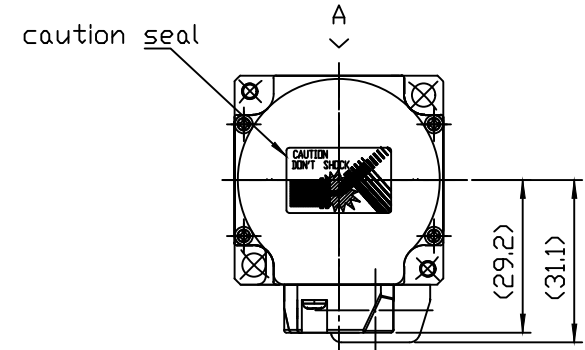
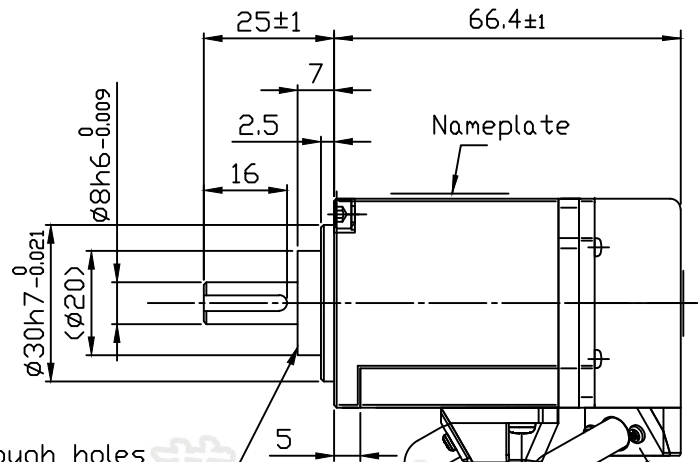
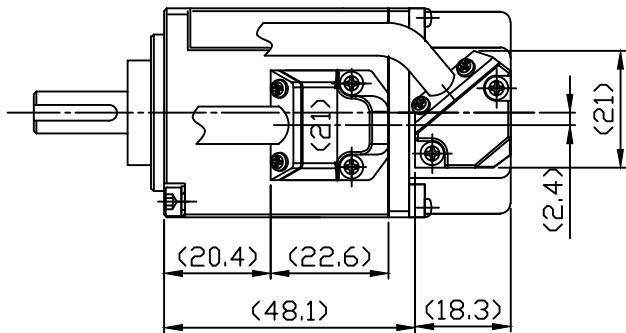
TBL-iS Series

REVISIONS

No.	DESCRIPTION	DATE
△	键变更	18.09.06
△	铭板修正	18.12.22



With oil seal: N**57
With out oil seal: N**52



Sagittal A

Accessories

△1. Soft key: 3X3X14 square (JIS B 1301)

Note

1. Painting: Black color except the mounting surface
2. Use under the following conditions:
 - Keep the oil level below the lip of oil seal.
 - Use the oil seal at the level splashed with oil.
3. Protecting grade: IP67, except the part of connector and oil seal

Motor
Plug: 172167-1(AMP)
Pin : 170360-1
or 170364-1

Encoder
Plug: 172169-1(AMP)
Pin : 770835-1
or 794059-1

MOTOR CONNECTION

PIN No	FUNCTION	COLOR
1	U	RED
2	V	WHT
3	W	BLK
4	C.G	GRN/YEL

ENCODER CONNECTION

PIN No	FUNCTION	COLOR	PIN No	FUNCTION	COLOR
1	SD	BLU	6	Vcc	RED
2	SD	BLU/BLK	7	GND	BLK
3	*VB	*BRW	8	*GND	*BRW/BLK
4	---	---	9	SHIELD	SHIELD
5	---	---			

*17bitINC and 23bitINC isn't being used

DS'D	夏中波	DATE	18.1.24	MODEL NO.	TSM3003	TITLE								
		SCALE	1/1		3RD ANGLE PROJECTION	BRUSHLESS SERVOMOTOR OUTLINE (TSS)								
CH'D		DWG NO.		3	4	5	6	7	8	9	10	11	12	SHEET
APP'D	W.Satoh			0	T	D	0	0	1	1	4	S	0	0 /